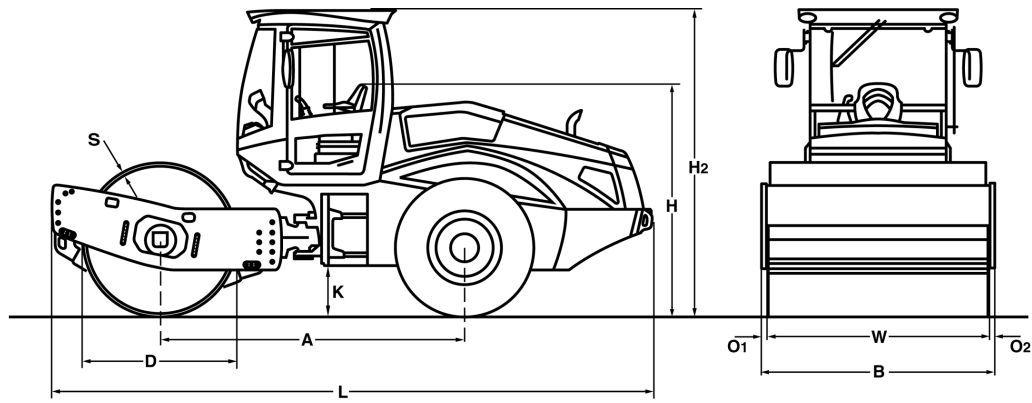


TECHNICAL DATA

SINGLE DRUM ROLLERS

BW 213 D-5, BW 213 DH-5, BW 213 PDH-5





Dimensions in mm

	A	B	D	H	H2	K	L	O1	O2	S	W
BW 213 D-5	2975	2270	1500	2250	2990	490	5870	70	70	30	2130
BW 213 DH-5	2975	2270	1500	2250	2990	490	5870	70	70	30	2130
BW 213 PDH-5	2975	2270	1480	2250	2990	490	5870	70	70	25	2130

Shipping dimensions in m3

BW 213 D-5
BW 213 DH-5
BW 213 PDH-5

without ROPS

29,981
 29,981
 29,981

with ROPS

39,841
 39,841
 39,841

Machine type	Compaction output (m3/h)			
	Rock fill	Gravel, sand	Mixed soil	Silt, clay
BW 213 D-5	470-940	300-600	240-480	120-240
BW 213 DH-5	530-1060	360-720	270-540	180-360
BW 213 PDH-5	530-1060	360-720	270-540	210-420

Machine type	Compacted layer thickness (m)			
	Rock fill	Gravel, sand	Mixed soil	Silt, clay
BW 213 D-5	0,80	0,50	0,40	0,20
BW 213 DH-5	0,80	0,50	0,40	0,25
BW 213 PDH-5	0,90	0,60	0,50	0,30

Technical Data**BOMAG
BW 213 D-5****BOMAG
BW 213 DH-5****BOMAG
BW 213 PDH-5****Weights**

Grossweight	kg	14.800	15.800	14.870
Operating weight CECE w. ROPS-cabin	kg	12.510	12.720	13.830
Axle load, drum CECE	kg	7.500	7.560	8.670
Axle load, wheels CECE	kg	5.010	5.160	5.160
Static linear load CECE	kg/cm	35,2	35,5	

Dimensions

Working width	mm	2.130	2.130	2.130
Track radius, inner	mm	3.680	3.680	3.680

Driving Characteristics

Speed (1)	km/h	0- 5,0		
Speed (2)	km/h	0- 6,0		
Speed (3)	km/h	0- 8,0		
Speed (4)	km/h	0- 11,0		
Speed	km/h		0- 12,0	0- 12,0
Max. gradeability without/with vibr. ...	%	45/43	60/57	62/60

Drive

Engine manufacturer		Deutz	Deutz	Deutz
Type		TCD 3.6 L4	TCD 4.1	TCD 4.1
Emission stage		Stage IV / TIER4f	Stage IV / TIER4f	Stage IV / TIER4f
Exhaust gas aftertreatment		DOC+SCR	DOC+DPF+SCR	DOC+DPF+SCR
Cooling		Liquid	Liquid	Liquid
Number of cylinders		4	4	4
Performance ISO 3046	kW	95,0	115,0	115,0
Performance SAE J 1995	hp	128,0	155,0	155,0
Speed	min-1	2.000	2.100	2.100
Fuel		diesel	diesel	diesel
Electric equipment	V	12	12	12
Drive system		hydrost.	hydrost.	hydrost.
Drum driven		standard	standard	standard

Drums and Tyres

Number of pad feet				150
Area of one pad foot	cm2			137
Height of pad feet	mm			100
Tyre size		23.1-26 12PR	23.1-26 12PR	23.1-26 12PR

Brakes

Service brake		hydrost.	hydrost.	hydrost.
Parking brake		hydromec.	hydromec.	hydromec.

Steering

Steering system		oscil.artic.	oscil.artic.	oscil.artic.
Steering method		hydrost.	hydrost.	hydrost.
Steering / oscillating angle +/-	grad	35/12	35/12	35/12

Exciter system

Drive system		hydrost.	hydrost.	hydrost.
Frequency	Hz	30/34	30/34	30/34
Amplitude	mm	2,10/1,10	2,10/1,10	1,70/0,90
Centrifugal force	kN	285/196	285/196	285/194
Centrifugal force	t	29,1/20,0	29,1/20,0	29,1/19,8

Capacities

Fuel	l	250,0	250,0	250,0
------------	---	-------	-------	-------

Technical modifications reserved. Machines may be shown with options.

Standard Equipment

- BOMAG ECOMODE
- Warning, information and operation displays with LCD
- Noise insulation
- Hydrostatic travel and vibration drive
- Hydrostatic articulated steering
- Articulated joint lock
- Rear axle with twin spring accumulator brakes
- No-Spin differential lock
- Warning horn
- Single lever control for travel and vibration
- Seat with arm rest and adj. for position and height
- 2 Scrapers
- Emergency STOP
- Back-up alarm
- Working lights front / rear
- Double pump system for travel drive (DH/PDH)
- Tractor tires (PD)
- Loading mode
- Sliding window
- Battery disconnect switch

Optional Equipment

- * ROPS/FOPS cabin with seat belts
 - Sliding window
- ROPS/FOPS with safety belt
- Air condition
- Rearview camera
- TERRAMETER
- BOMAG ECOSTOP
- BOMAG TELEMATIC POWER
- Padfoot segment kit (D/DH)
- Radio (Bluetooth)
- Indicator and hazard lights
- BCM 05 Documentation system
- Special painting
- Rotary beacon
- Pre start cabin heating
- Environmentally compliant hydraulic oil
- Comfort package: Adjustable seat and adjustable steering column
- Measuring- and machine data interface for third-party suppliers
- Blade (DH/PDH)

* Standard delivery with CE conformity
(valid within European Union)

