

Specifications

Models SX-150

Measurements	Metric	US
Working height maximum*	48.33 m	158 ft
Platform height maximum	46.33 m	152 ft
Horizontal reach maximum	24.38 m	80 ft
Below ground reach	0.61 m	2 ft
▲ Platform length	0.91 m	3 ft
▲ Platform width	2.44 m	8 ft
▲ Height - stowed	3.05 m	10 ft
▲ Length - stowed	16.18 m	53 ft 1 in
Length - transport (jib tucked under)	13.00 m	42 ft 8 in
▲ Width - axles retracted	2.49 m	8 ft 2 in
Width - axles extended	5.03 m	16 ft 6 in
▲ Wheelbase - axles retracted	5.03 m	16 ft 6 in
Wheelbase - axles extended	4.72 m	15 ft 6 in
▲ Ground clearance - center	0.38 m	1 ft 3 in

Productivity

Lift capacity	340 kg	750 lb
Platform rotation	160°	
Vertical jib rotation	135°	
Horizontal jib rotation	60°	
Turntable rotation	360° continuous	
Turntable tailswing - axle retracted	1.14 m	3 ft 9 in
Turntable tailswing - axle extended	1.07 m	3 ft 6 in
Drive speed - stowed	3.7 km/h	2.3 mph
Drive Speed - out of stowed		
below 125 ft (38.1 m)	0.65 km/h	0.4 mph
above 125 ft (38.1 m)	0.16 km/h	0.1 mph
Gradeability - stowed	35%	
Turning radius - axle retracted: inside	6.27 m	20 ft 7 in
outside	8.56 m	28 ft 1 in
Turning radius - axle extended: inside	3.02 m	9 ft 11 in
outside	7.34 m	24 ft 1 in
Controls	12 V DC proportional	
Tyres	445D50/710HD	

Power

Power source	TD2011L04i, 74 hp (55 kW)	
Auxiliary power unit	12 V DC	
Hydraulic tank capacity	416 L	110 gal
Fuel tank capacity	189 L	50 gal

Weight***	22,613 kg	49,853 lbs
-----------	-----------	------------

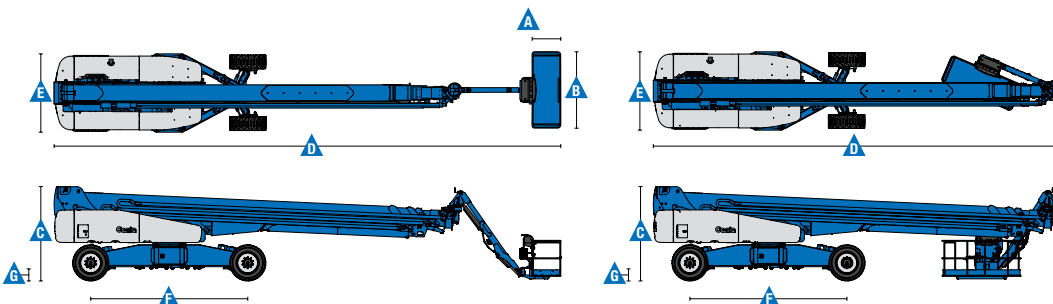
Standards Compliance

AS 1418.10

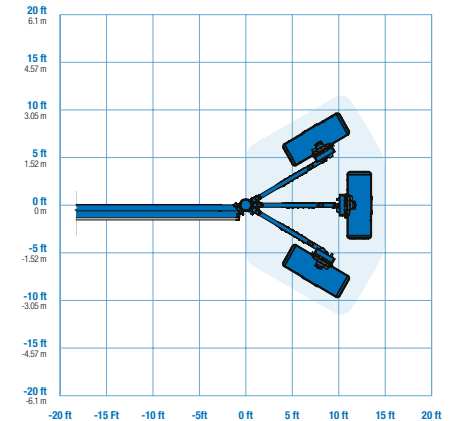
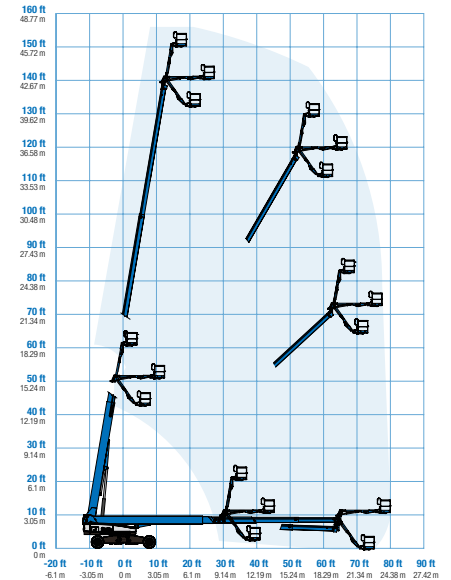
* The metric equivalent of working height adds 2 m to platform height. U.S. adds 6 ft to platform height.

** Gradeability applies to driving on slopes. See operator's manual for details regarding slope ratings.

*** Weight will vary depending on options and/or country standards.



Range Of Motion SX-150



Features

Standard Features

Measurements

- 48.33 m (158 ft) working height
- 24.38 m (80 ft) horizontal reach
- 340 kg (750 lb) lift capacity

Productivity

- Xchassis™ extendable axles
- 3.05 m (10 ft) 60° rotating jib
- Self-leveling platform
- 160° hydraulic platform rotation
- Proportional joystick controls
- Hydraulic oil cooler
- Drive enable
- AC power in the platform
- Horn
- Hour meter
- Tilt alarm
- Descent alarm
- 360° continuous turntable rotation
- Positive traction 4WD
- Two speed wheel motors
- Four wheel high angle steer
- Four steering modes: front, rear, crab and coordinated
- On board full diagnostics and engine monitoring display
- Dual flashing beacons
- Thumb rocker steer
- Entry toe boards
- Lockable platform control box cover
- Anemometer
- Telematics ready connector

Power

- 7.5 kW generator - 240V/50 Hz
- 12 V DC auxiliary power
- Auto engine fault protection
- Swing out engine tray

Engine Options

- Deutz turbo diesel 74 hp (55 kW)

Drive/Steer

- 4WD (standard)
- 4WS (standard)

Tyres

- Rough terrain foam-filled (standard)

Options & Accessories

Productivity Options

- Half-mesh platform inserts with swing gate
- Air line to platform
- Biodegradable hydraulic oil
- Hostile environment kit
- Deluxe hostile environment kit
- Light package
- Operator Protective Structure
- Operator Protective Alarm

Power Options

- Cold weather kit
- Diesel catalytic purifier muffler
- Diesel scrubber/catalytic muffler
- Intake air pre-cleaner



Genie – Toll free number 1800 788 633

Brisbane

HEAD OFFICE

33 Kimberley Street
Darra QLD 4076

Sydney

74 Glendenning Road
Glendenning NSW 2761

Melbourne

133 Logis Boulevard
Dandenong Sth VIC 3175

Adelaide

16-18 Nixon Road
Wingfield SA 5013

Perth

126 Sheffield Road
Welshpool WA 6106

Darwin

33 McCourt Road
Yarrowonga NT 0830

Genie USA

18340 NE 76th Street
P.O. Box 97030
Redmond, Washington
98073-9730

Distributed By:

Effective Date: February, 2016. Product specifications and prices are subject to change without notice or obligation. The photographs and/or drawings in this document are for illustrative purposes only. Refer to the appropriate Operator's Manual for instructions on the proper use of this equipment. Failure to follow the appropriate Operator's Manual when using our equipment or to otherwise act irresponsibly may result in serious injury or death. The only warranty applicable to our equipment is the standard written warranty applicable to the particular product and sale and we make no other warranty, express or implied. Products and services listed may be trademarks, service marks or trade names of Terex Corporation and/or their subsidiaries in the USA and many other countries. Genie is a registered trademark of Terex South Dakota, Inc. © 2016 Terex Corporation.