

150 AETJ-L / 170 AETJ-L



TECHNICAL DATA SHEET

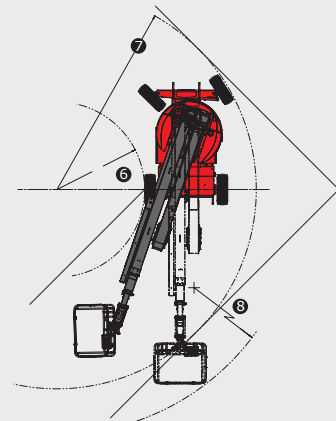
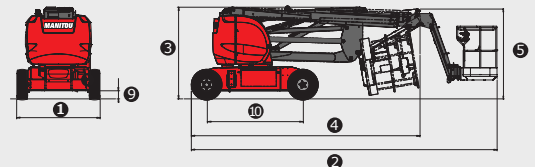
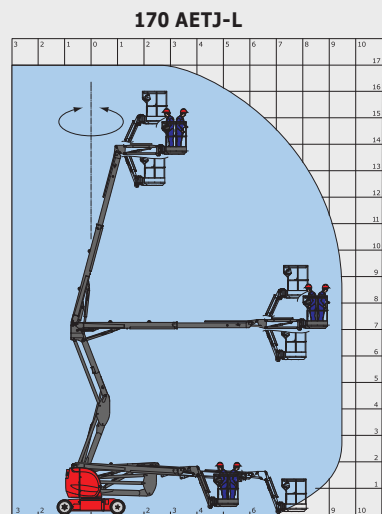
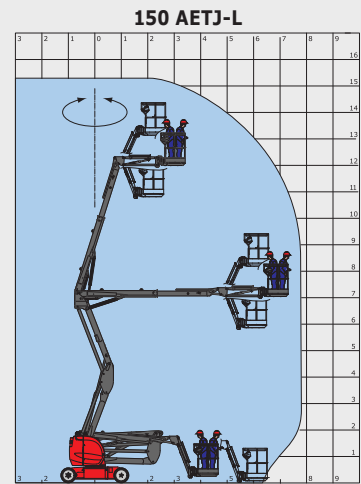


www.manitou.com

150 AETJ-L / 170 AETJ-L



	150 AETJ-L	170 AETJ-L
Working height	15.40 m	17 m
Platform height	13.40 m	15 m
Articulation height	7.27 m	
Outreach	7.81 m	9.43 m
Jib tilting	+70° / -70°	
Basket rotation	140°	
Turret rotation	355°	
Capacity	230 kg	
Number of persons (indoor/outdoor)	2/2	
Basket (width and length)	1.20 x 0.92 m	
1. Overall width	1.90 m	
2. Overall length	6.10 m	6.97 m
3. Overall height	2.10 m	
4. Overall length when folded	4.53 m	5.25 m
5. Overall height when folded	2.13 m	
6. Interior turning circle	1.97 m	
7. Exterior turning circle	4.27 m	
8. Exterior turning circle	4.85 m	
9. Ground clearance	17.5 cm	
10. Wheelbase	2.20 m	
Speed of forward movement	6 kph	
Working speed	0.60 kph	
Maximum slope accessible	25 %	21 %
Maximum tilt	9 % / 5°	
Tyres	27-10-12	
Driving wheels	2 (back)	
Steering/directional wheels	2 (front)	
Weight	6435 kg	7435 kg
<small>(varies according to options & standards of the country)</small>		
Batteries	300 Ah / 2 x 24 V	
Integrated charger	45 Ah / 48 V	
Engine	Lombardini FOCS 702 water cooled	
Power	9.20 kW	
Generator	5.70 kW / 48 V - 100 Amp / 2500 rpm	



Standard equipment

- Proportional switches/levers
- Forward movement possible at maximum height
- Sound and visual alarm in case of excessive slant and overload
- Integrated charger
- Emergency manual descent
- Negative braking system
- Sound warning system inside the platform
- Hour meter
- Indication of state of charge of batteries
- Hooks for sling loading/lifting
- Integrated diagnostic aid
- Predisposition 220V
- All road wheels - Non marking
- Basket with transparent floor
- Bus CAN technology
- Tool box inside platform

Optional equipment

- Flashing lights
- Working light
- Predisposition of air
- Predisposition of water
- 230V power input with differential circuit-breaker
- Special paint
- Biodegradable oil
- Central topping up of batteries
- Warning signal moving forward
- Warning signal for all movements
- Initial certificate of verification prior to entry into service
- Safety harness
- Oil for extreme low temperatures
- Battery frost protection

This brochure describes versions and configuration options for MANITOU products which may be fitted with different equipment. The equipment described in this brochure may be standard, optional or not available depending on version. MANITOU reserves the right to change the specifications shown and described at any time and without prior warning. The manufacturer is not liable for the specifications given. For more information, contact your MANITOU dealer. Non-contractual document. Product descriptions may differ from actual products. List of specifications is not comprehensive. The logos and visual identity of the company are the property of MANITOU and may not be used without authorisation. All rights reserved. The photos and diagrams contained in this brochure are provided for information only.

MANITOU BF SA - Limited company with board of directors - Share capital: 39,547,824 euros - 857 802 508 RCS Nantes

