

PALFINGER

P 240 AXE SMART
THERE IN A FLASH,
COMPACT SET-UP
AND FLEXIBLE HEIGHT

LIFETIME EXCELLENCE



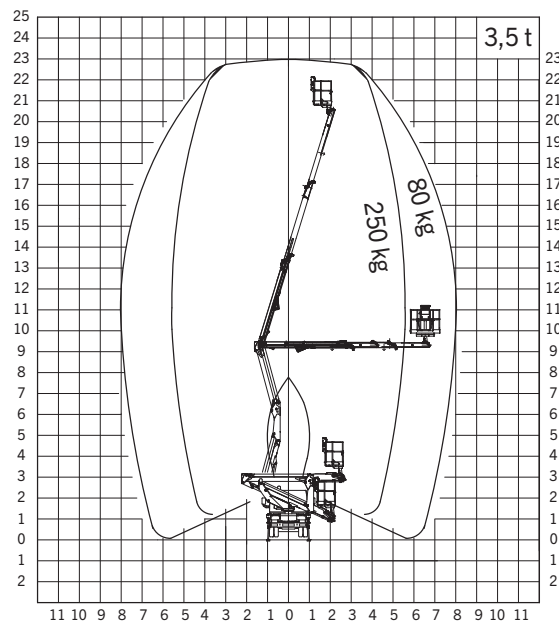
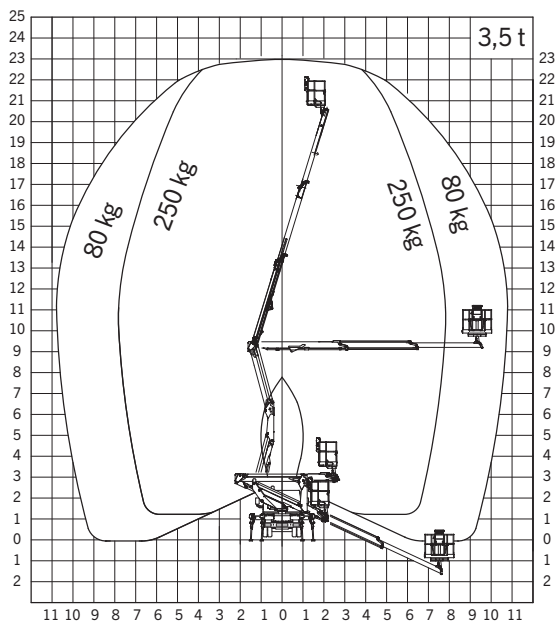
TECHNICAL SPECIFICATIONS

Max. working height	23.0 m
Max. basket bottom height	21.0 m
Max. outreach	10.8 m
Angle of main boom	-25° a + 73°
Turntable rotation	370°
Basket rotation	2 x 90°
Basket load	250 kg
Size of basket	1.4 x 0.85 x 1.1 m
Height in transport position	2.89 m
Width in transport position	2.1 m
Length in transport position	5.39 m
GVW	3500 kg

OPTIONAL

Fiberglass basket
Working adjustable light 60 W on the basket
Insulation 1000 V
12 V electric pump
Aluminium side panels
Customised paintwork boom

WORKING DIAGRAMS



DIMENSIONS



SALES DEALER