

**PALFINGER**

LIFETIME EXCELLENCE

**P 640**  
**JUMBO CLASS NX**



## TECHNICAL SPECIFICATIONS

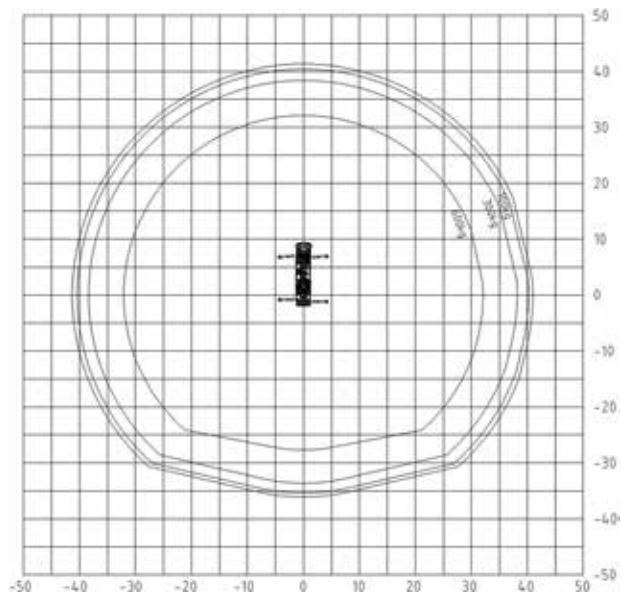
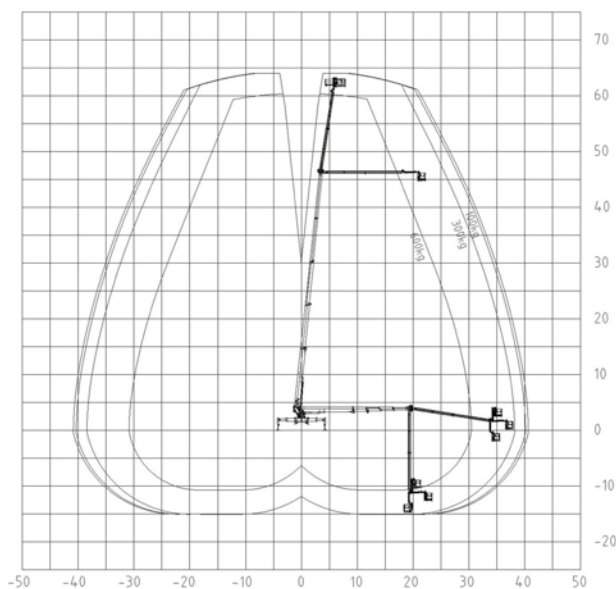
Max. working height	64 m
Max cage bottom height	62 m
Max. outreach to the side*	40,5 m
Max. outreach*	40,5 m
Angle of main boom	540°
Rotation angle of cage	2 x 200°
Rotation angle of cage boom	240°
Max. cage load	600 kg
Size of cage	3,81 x 1,04 x 1,1 m
Permissible inclination of platform	1°
Height in transportposition*	3,93 m
Width in transportposition	2,51 m
Overall length	11,93 m
Wheelbase*	3,68 m
Total weight*	29000 kg

\* Depends on truck chassis

## STANDARD EQUIPMENT

Reversing camera
Home function
Automated positioning system
Telescopic cage
Driver information system
Safety plates
230 V CEE current supply with CEE socket in the workman cage
Assistance system
Lubrication system lower arms

## WORKING DIAGRAMS



A possible 2% tolerance is contingent on structural components

## DIMENSIONS

