

## 8085

Wheel Loaders 0.7 - 0.95 m<sup>3</sup>



### The elite among wheel loaders

The wheel loaders of the 80-series by Kramer set high standards in terms of technology, performance and comfort. Other plus points are versatility in use, optimal power to weight ratio and exceptional performance statistics.

- One-piece frame and all-wheel steering
- Hydraulic quick coupler system and parallel-controlled loading system
- Particularly spacious panoramic cab with the highest level of operator comfort
- Efficient drive and low operating costs
- Variety of options for a large range of uses

**8085**

 Wheel Loaders 0.7 - 0.95 m<sup>3</sup>
**Technical specifications**

## Operating data

|                                   |                     |
|-----------------------------------|---------------------|
| Bucket capacity (standard bucket) | 0.85 m <sup>3</sup> |
| Operating weight                  | 4,750 kg            |

## Engine / Motor

|                             |       |
|-----------------------------|-------|
| Engine / Motor manufacturer | Deutz |
| Engine performance          | 55 kW |

## Power transmission

|                         |                           |
|-------------------------|---------------------------|
| Travel speed (standard) | 20 km/h                   |
| Travel speed (optional) | 40 km/h                   |
| Differential lock       | Self-locking differential |
| Standard tires          | 12.5-20                   |

## Steering and operating hydraulics

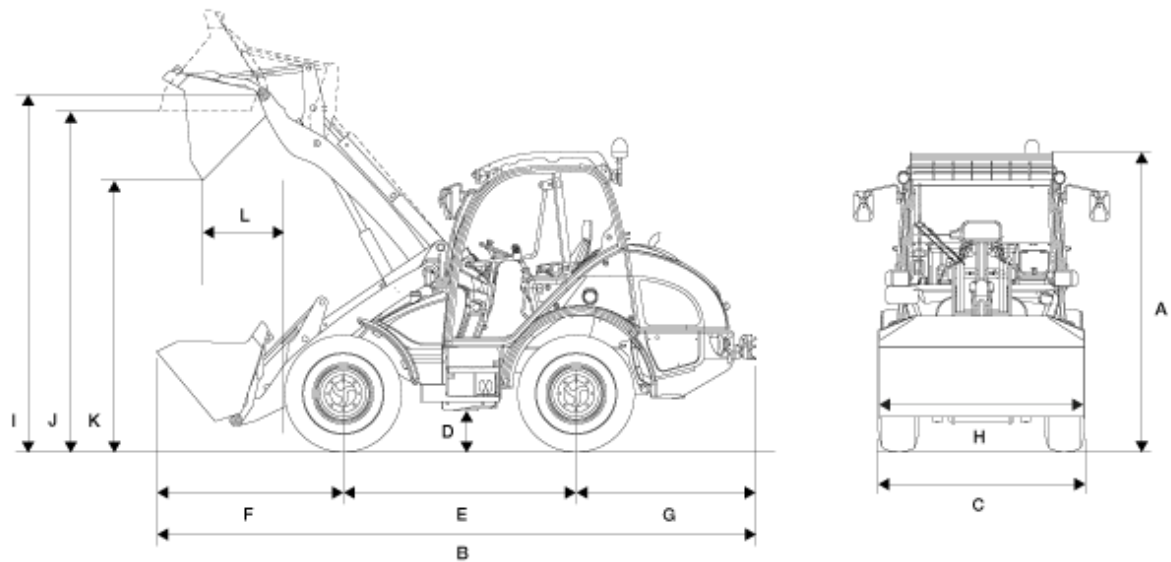
|                      |           |
|----------------------|-----------|
| Flow rate (pump)     | 70 l/min  |
| Pressure (maximum)   | 240 bar   |
| Flow rate (optional) | 115 l/min |

## Kinematics

|                            |          |
|----------------------------|----------|
| Tipping load (with bucket) | 3,650 kg |
| Payload (S=1.25)           | 2,150 kg |

Additional technical data is available in the detailed brochure in the informational material section

## Dimensions



|   |                                       |          |
|---|---------------------------------------|----------|
| A | Height                                | 2,480 mm |
| B | Length                                | 5,280 mm |
| C | Width                                 | 1,780 mm |
| D | Ground clearance                      | 330 mm   |
| E | Wheelbase                             | 2,020 mm |
| F | Center of front axle to tip of teeth  | 1,770 mm |
| G | Center of rear axle to end of vehicle | 1,490 mm |
| H | Bucket width                          | 1,850 mm |
| I | Bucket pivot point                    | 3,290 mm |
| J | Overhead loading height               | 3,140 mm |
| K | Dumping height                        | 2,560 mm |
| L | Dump reach                            | 635 mm   |
|   | Stack height                          | 3,040 mm |

Turning radius (over tyres)

2,840 mm

---

**Information on suitable accessories can be found on our website.**

The right to make changes is reserved in the interests of ongoing further developments. You can find more information on the engine power in the operator's manual. The actual power output figures may vary due to specific operating conditions.

Information on suitable accessories can be found on our website. More detailed information on engine power can be found in the operator's manual; the stated power may vary due to specific operating conditions. Subject to alterations and errors excepted. Applicable also to illustrations. Copyright © 2014 Kramer-Werke GmbH.