

8095T

Tele Wheel Loader 8095T



The telescopic amongst wheel loaders

The tele wheel loaders of the 80-series by Kramer set standards in terms of technology, performance and comfort. Other plus points are versatility in use, optimal power to weight ratio and exceptional performance statistics.

- Fully-fledged wheel loaders with extra range as well as stacking and dumping height
- One-piece frame and all-wheel steering
- Hydraulic quick coupler system and parallel-controlled loading system
- Particularly spacious panoramic cab with the highest level of operator comfort
- Efficient drive, low operating costs and high variety of options

8095T

Tele Wheel Loader 8095T

Technical specifications

Operating data

Bucket capacity (standard bucket)	0.95 m ³
Operating weight	5,850 kg

Engine / Motor

Engine / Motor manufacturer	Deutz
Engine performance (standard)	55.4 kW
Engine performance (optional)	74.4 kW

Power transmission

Travel speed (standard)	20 km/h
Travel speed (optional)	40 km/h
Differential lock	100% connectable
Standard tires	14.5-20

Steering and operating hydraulics

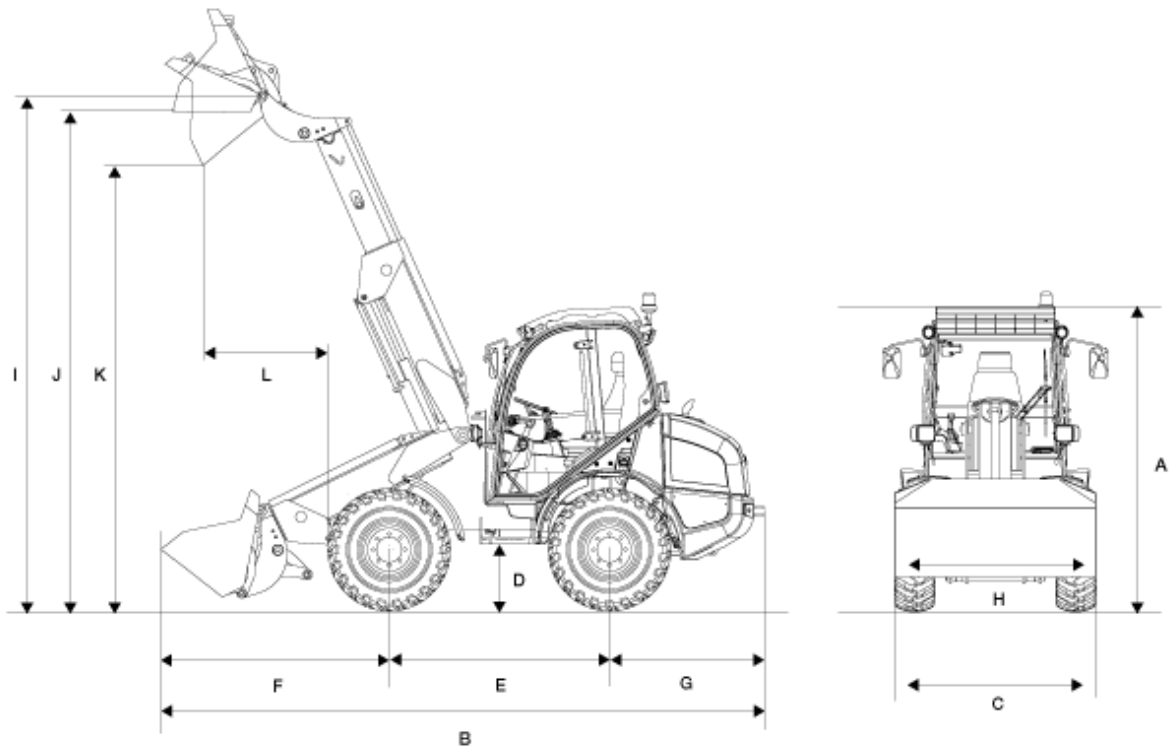
Flow rate (pump)	84 l/min
Pressure (maximum)	240 bar
Flow rate (optional)	120 l/min

Kinematics

Tipping load (with bucket, retracted)	3,500 kg
Payload (S=1.25, retracted)	2,300 kg

Additional technical data is available in the detailed brochure in the informational material section

Dimensions



A	Height	2,750 mm
B	Length	6,040 mm
C	Width	1,920 mm
D	Ground clearance	350 mm
E	Wheelbase	2,150 mm
F	Center of front axle to tip of teeth	2,270 mm
G	Center of rear axle to end of vehicle	1,620 mm
H	Bucket width	1,950 mm
I	Bucket pivot point (extended)	4,680 mm
J	Overhead loading height (extended)	4,450 mm
K	Dumping height (extended)	3,980 mm
L	Dump reach (extended)	1,100 mm
	Stack height (extended)	4,500 mm

Turning radius (over tyres)

2,950 mm

Information on suitable accessories can be found on our website.

The right to make changes is reserved in the interests of ongoing further developments. You can find more information on the engine power in the operator's manual. The actual power output figures may vary due to specific operating conditions.

Information on suitable accessories can be found on our website. More detailed information on engine power can be found in the operator's manual; the stated power may vary due to specific operating conditions. Subject to alterations and errors excepted. Applicable also to illustrations. Copyright © 2014 Kramer-Werke GmbH.