

MLT 625

AGRICULTURAL HANDLING solution



 **MANITOU**

YOUR CHOICE

Standard and optional equipment	CLASSIC	PREMIUM
Fork carriage	●	●
Air conditioning	○	●
Cloth seat	●	-
Pneumatic cloth seat	○	●
Rear-view mirror	●	●
Easy Connect System	○	●
CD/MP3 car radio	○	●
Radio/CD player	●	-
Automatic radiator cleaning system	●	●
Hand throttle	○	○
Electric rear window de-misting	○	○
Windscreen Guard	○	○
Continuous flow hydraulics	○	○
Flow control system	○	○
Boom working lights	○	○
Blue poultry lights	○	○
Hydraulic locking (accessories)	○	○
Electric prewriting at the boom head	○	○
Free flow return	○	○
Rear clevis hitch	○	○

● Standard ○ Option - Not available

Selection of attachments:



Bucket with grab

Grain bucket

Sweeper-collector

Auger/feed bucket

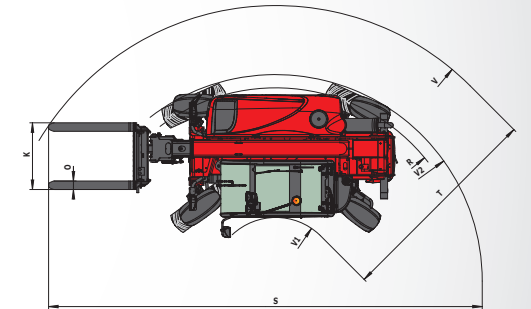
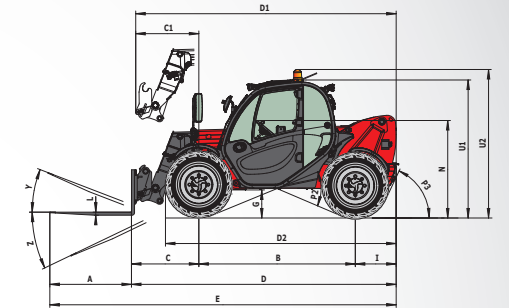
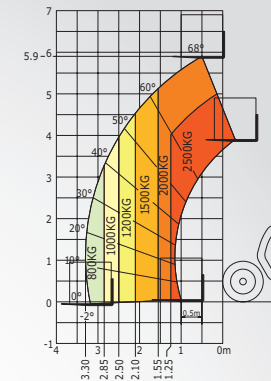
Pressure washer

MLT 625-75 H

	Lifting capacity at 500 mm from forks heels	2500 kg
	Break out force as per standard ISO 8313-1986	4205 daN
	Lifting height	5.90 m
	Time: laden/unladen (in s)	
	Lifting	7.2/7.45
	Lowering	4.90/5
	Telescope	
	Extension	5.2/5.3
	Retraction	3.7/3.75
	Time: unladen (in s)	
	Crowd	3.2
	Dump	3.2
	Front/rear tyres	12.0-18 12 PR
	Forks (mm)	
	Length	1200
	Width x thickness	125 x 45
	Oil immersed multidisc brake	
	KUBOTA engine	
	Type	V3307-DI-T-E3B
	Capacity	4 cyl./3331 cm ³
	Power (ISO/TR 14396)	75 HP/55.4 kW Turbo
	Max. torque (ISO/TR 14396)	265 Nm at 1400 tr/mn
	Injection	direct
	Cooling	water
	Transmission	hydrostatic
	Gear reverser	electro-hydraulic
	Speed forward and reverse	2/2
	Max. travel speed up to	25 km/h
	Hydraulics	
	Gear pump	90 l/min at 235 bars
	Flow divider priority for steering	
	Capacities	
	Cooling system	12 l
	Transmission oil	115 l
	Engine oil	11.2 l
	Fuel tank	63 l
	Unladen weight (with forks)	4922 kg
	Overall Width	1.82 m
	Overall Height	2.00 m
	Turning radius (outer wheels)	3.19 m
	Length at carriage	3.90 m
	Ground clearance	0.38 m

Maximum height reach: 0.50 m

As per standard EN 1459 annex B



A	1200
B	2300
C	991
C1	928
D	3894
D1	3831
D2	3393
E	5094
F	1500
F1	1500
G	378
I	603
J	797
K	1015
L	45
N	1398
O	125
P2	45
P3	65
R	3033
S	6531
T	3475
U1	2000
U2	2167
V	4240
V1	765
V2	3190
W	1814
Y	12°
Z	117°
	mm

