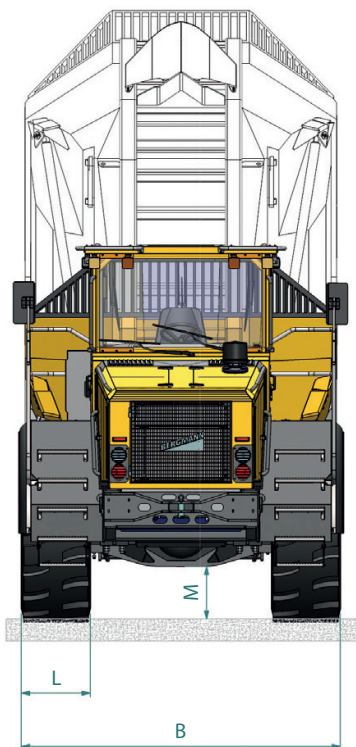
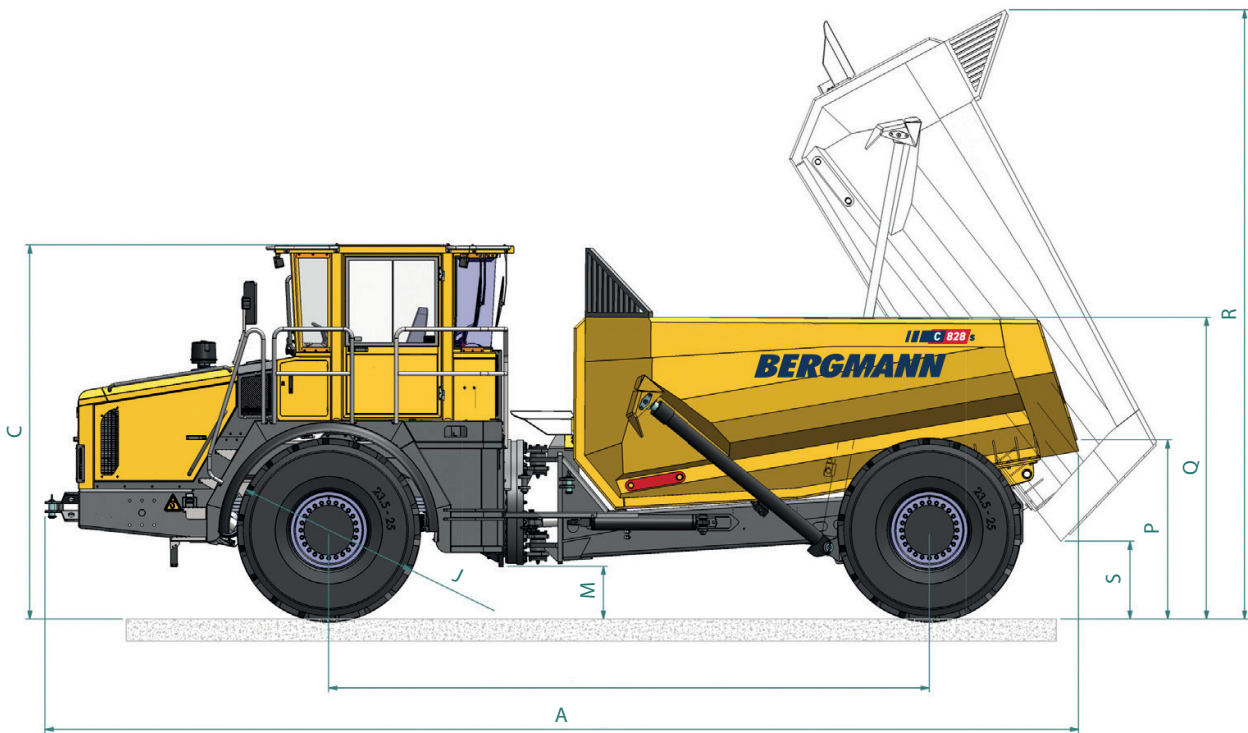


BERGMANN II C 828 s



Dimensions

A	9,316 mm	30.56 ft
B	2,870 mm	9.42 ft
C	3,353 mm	11.00 ft
J	1,654 mm	5.43 ft
L	620 mm	2.03 ft
M	480 mm	1.57 ft
P	1,610 mm	5.28 ft
Q	2,719 mm	8.92 ft
R	5,476 mm	17.97 ft
S	700 mm	2.30 ft

Weight

Empty weight	19,250 kg	42,439 lb
Payload	25,000 kg	55,116 lb

Bucket capacity

Heaped	15 m ³	19.6 yd ³
--------	-------------------	----------------------

All illustrations, dimensions and weights do not necessarily correspond to the standard equipment and are non-binding with regard to tolerance deviations on component level. We reserve the right to make technical changes.

Technical data

Highlights

- Two-axle concept for low wear on narrow tunnel construction sites
- Rotatable operator's platform
- Special transmission for fast reversing at up to 30 km/h
- Robust choice of materials and components for tunnel applications

Engine

6 cylinder diesel engine QSB 6.7 – water-cooled		
Power	194 kW	260.05 hp
Rotational speed		1,500 rpm
Emission standard		Stage 5

Transmission

ZF6 WG-210 converter transmission/four-wheel-drive

Steering

Central articulation

Axles/Brakes

- Kessler axles
- Service brake: Oil bath multi disk brake; hydraulic application over foot pedal with braking-oil cooling system
- Park brake: Mounted on transfer box, acting on both axles; hydraulic application over spring type cylinder brake

Standard tyres

All tyres Goodyear 23.5R25 RL-4K*** tires on 19.5–2.5 rims (more tyre options on request)

Tank capacity

Diesel tank	280 L
Hydraulic tank	280 L

Electrics

- 24 V electric system with main switch
- Control lamps for engine water temperature
- Control lamp for engine oil, park brake and battery charging control
- Horn

Standard equipment

- Adjustable driver's seat
- 6 working lamps
- Bucket from wear-resistant fine-grain steel
- Manual/Spare parts list