

EZ50

Tracked Zero Tail Excavators



**WACKER
NEUSON**
all it takes!



The compact and powerful Zero Tail mini-excavator

Full steam ahead: The mini-excavator EZ50 has the expected high lifting and excavation power as well as rapid work cycles. Thanks to the newest technologies, the emissions of the mini-excavator were reduced and the efficiency simultaneously increased, among other things. This is how, for example, the powerful engine of the EZ50 fulfills the standards for exhaust emissions stage 5. The excavator is also impressive in terms of operator-friendliness. Work is no trouble at all thanks to the intuitive operating concept and flawless view of the working area. The EZ50 is also a zero tail excavator and thus particularly suited for work in narrow spaces.

- 3-point kinematics for more breakaway force, insertion depth and dumping height
- Six auxiliary control circuits, high lifting and excavation power and thus, rapid work cycles – performance is emphasized here!
- Comfortable and fatigue-free joystick control thanks to Load Sensing Flow Sharing

EZ50 Technical specifications

Operating data

Shipping weight	4,617 - 5,454 kg
Operating weight	4,847 - 5,685 kg
Biting force max. kurzer Löffelstiel	24.8 kN
Breakout force max. Löffelschneide (ISO 6015), fix verbolzt + High Power TL	36.8 kN
Digging depth max.	3,667 mm
Superstructure slewing speed	9.5 1/min
L x W x H	5,467 x 1,960 x 2,555 mm
Fuel tank capacity	80 l

Engine / Motor

Engine / Motor manufacturer	Perkins diesel engine
Engine / Motor type	403J-E17T
Engine / Motor	Water-cooled 3-cylinder turbo engine
Emission standards stage	5
Rated voltage	12 V
Displacement	1,662 cm ³
RPM / speed	2,000 rpm
Engine performance	32.5 kW

Battery

Battery	77 Ah
Rated voltage	12 V

Hydraulic system

Duty pump	1 axial piston pump
Flow rate max.	126 l/min
Operating pressure for working and driving hydraulics	245 bar
Operating pressure slewing gear	209 bar

Undercarriage

Travel speed max.	4.4 km/h
Chain width	400 mm
Ground clearance	305 mm

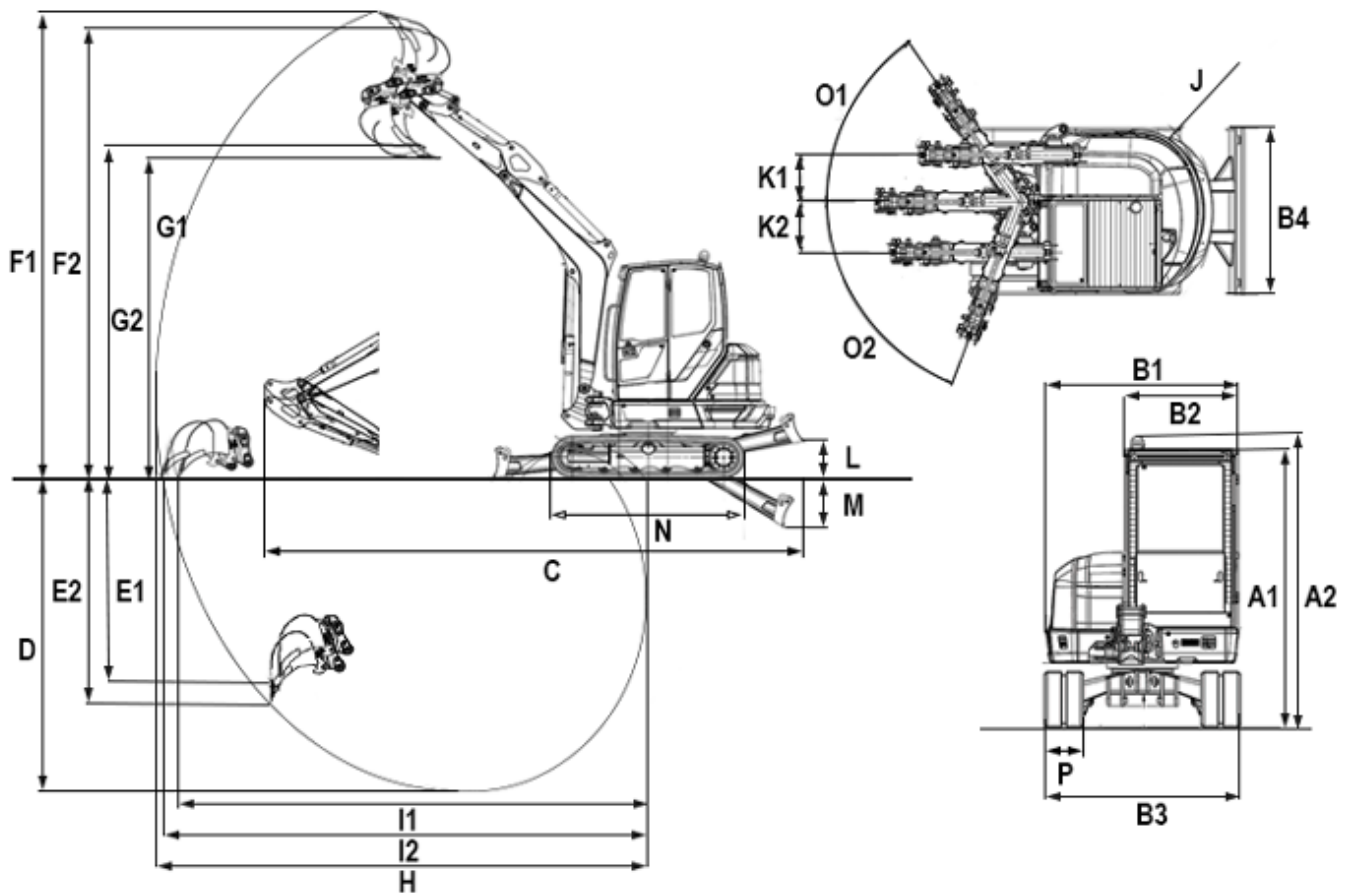
Dozer Blade

Width	1,960 mm
Height	370 mm
Stroke above subgrade	415 mm
Stroke below subgrade	455 mm

Sound level

Sound level (LwA)	97 dB(A)
Cabin - specified sound pressure level LpA	77 dB(A)

EZ50 Dimensions



A	Height	2,555 mm
A	Height with rotating beacon	2,667 mm
B	Width revolving superstructure	1,724 mm
B	Width cab	980 mm
B	Width travel gear	1,960 mm
B	Width dozer blade	1,960 mm
C	Transport length max., short dipper stick	5,467 mm
C	Transport length max., long dipper stick	5,482 mm
D	Digging depth max. short dipper stick	3,467 mm
D	Digging depth max. long dipper stick	3,667 mm
E	Insertion depth max., short dipper stick	2,085 mm
E	Insertion depth max., long dipper stick	2,262 mm
F	Insertion height max., short shovel arm	5,470 mm
F	Insertion height max., long dipper stick	5,599 mm
G	Dump height max. short dipper stick	3,655 mm
G	Dump height max. long dipper stick	3,784 mm
H	Digging radius max. short dipper stick	5,916 mm
H	Digging radius max. long dipper stick	6,150 mm
I	Range max., short dipper stick	5,794 mm
I	Range max., long dipper stick	5,988 mm

J	Rear swivel radius	1,047 mm
J	Rear swivel radius with rear weight	1,152 mm
K	Arm displacement max. (to center of bucket right side)	764 mm
K	Arm displacement max. (to center of bucket left side)	770 mm
L	Lift height max. (dozer blade above subgrade)	410 mm
M	Scraping depth max. (dozer blade below subgrade)	443 mm
N	Length travel gear	2,508 mm
O	Turning angle max. (arm system to the right)	55 °
O	Turning angle max. (arm system to the left)	70 °
P	Chain width	400 mm
Q	Boom slewing radius middle	2,505 mm
Q	Boom slewing radius right	2,329 mm
Q	Boom slewing radius left	2,064 mm
R	Distance bucket of dozer blade, short shovel arm	429 mm
R	Distance bucket of dozer blade, long shovel arm	333 mm

Please note: that product availability can vary from country to country. It is possible that information / products may not be available in your country. More detailed information on engine power can be found in the operator's manual; the stated power may vary due to specific operating conditions. Subject to alterations and errors excepted. Applicable also to illustrations.

Copyright © 2021 Wacker Neuson SE.