

TELESCOPIC BOOM LIFTS

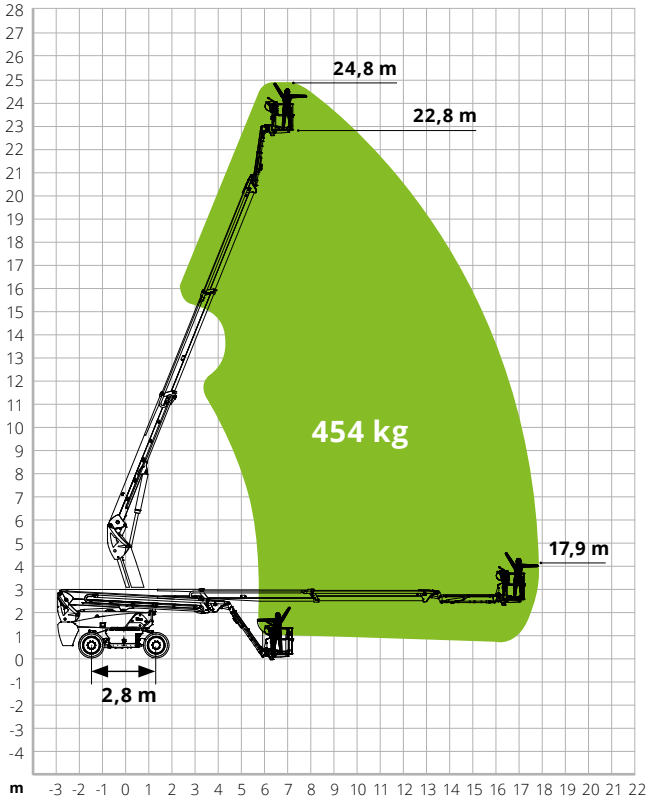
ELECTRIC POWERED

TECHNICAL DATA

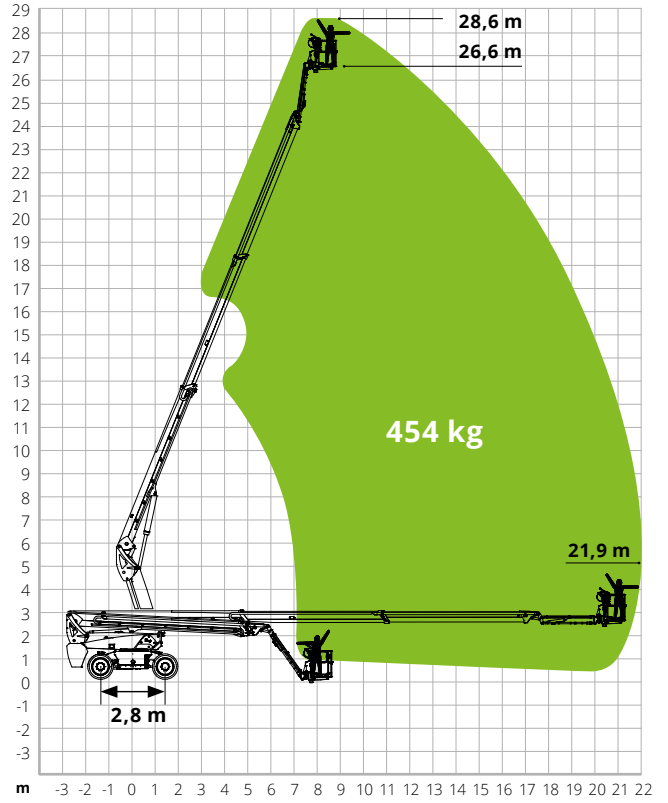
	ETB24RT	ETB26RT	ETB28RT
Max. working height	24.80 m	26.30 m	28.60 m
Max. basket height	22.80 m	24.30 m	26.60 m
Max. reach	17.90 m	19.50 m	21.90 m
Max. platform load capacity	454 kg	454 kg	454 kg
Max. gradeability (stowed)	30%	30%	30%
Max. working slope	X -5° / Y -5°	X -5° / Y -5°	X -5° / Y -5°
Max. wind speed	12.5 m/s	12.5 m/s	12.5 m/s
Platform length (A)	10.25 m	10.82 m	11.66 m
Platform width (tyres) (B)	2.50 m	2.50 m	2.50 m
Platform height (C)	2.89 m	2.89 m	2.89 m
Platform length (stowed)	-	-	-
Wheelbase (E)	2.80 m	2.80 m	2.80 m
Tailswing	1.61 m	1.61 m	1.61 m
Ground clearance (D)	0.43 m	0.43 m	0.43 m
Turning radius (outside)	3.74 m	3.74 m	3.74 m
Turning radius (inside)	0.98 m	0.98 m	0.98 m
Turret rotation (continuous)	360°	360°	360°
Boom vertical rotation	71° (+68°/ -3°)	71° (+68°/ -3°)	71° (+68°/ -3°)
Jib type	Regular	Regular	Regular
Jib length	2.60 m	2.60 m	2.60 m
Jib vertical rotation	135° (-54°/+81°)	135° (-54°/+81°)	135° (-54°/+81°)
Basket width	0.90 m	0.90 m	0.90 m
Basket length	2.44 m	2.44 m	2.44 m
Basket rotation	180° (+/-90°)	180° (+/-90°)	180° (+/-90°)
Total weight	14,300 kg	16,090 kg	18,400 kg
Travel speed (closed config.)	6 km/h	6 km/h	6 km/h

Telescopic boom lift load diagrams

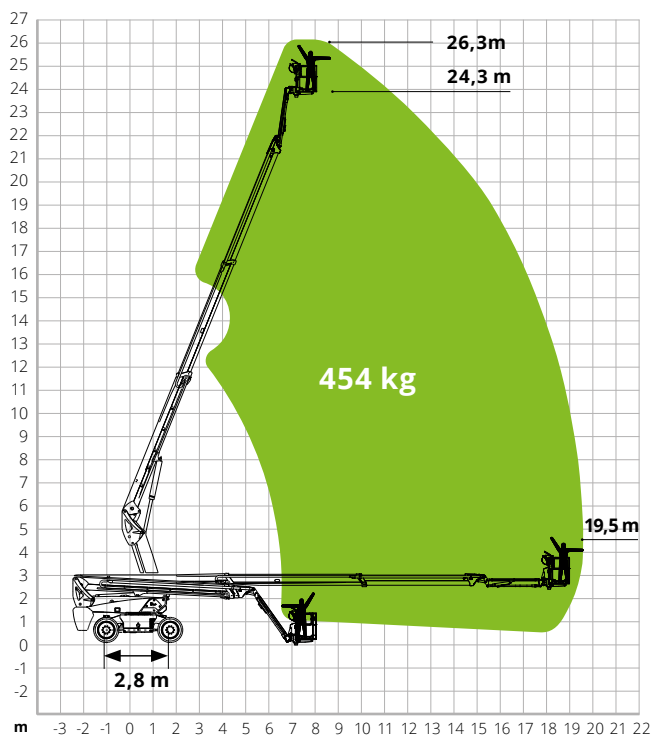
DTB24RT / ETB24RT



DTB28RT / ETB28RT



DTB26RT / ETB26RT



DTBJ26RT / ETBJ26RT

