

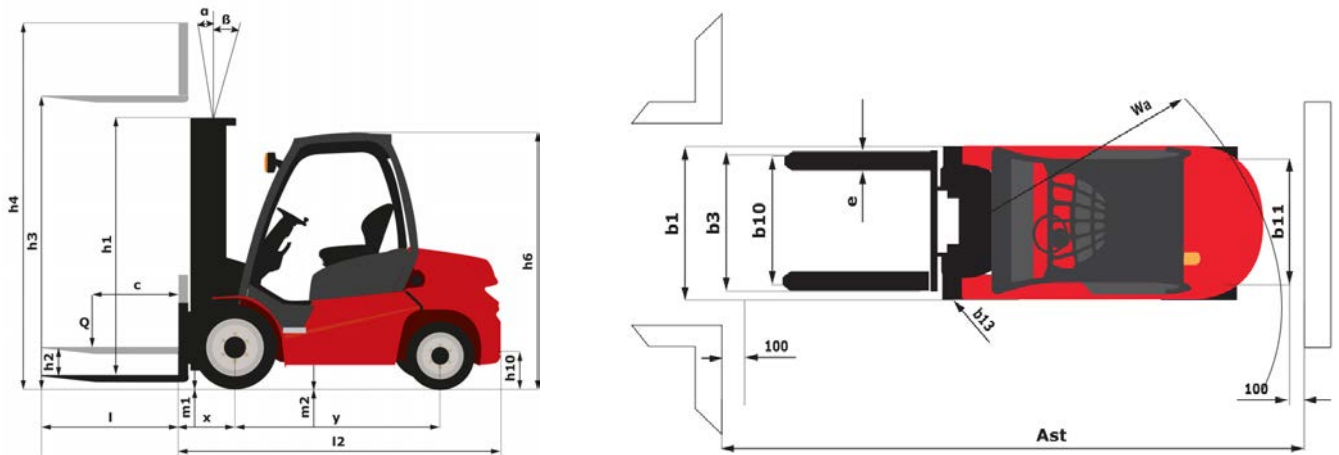
Technical sheet :

MI 18 D



| | Technical characteristics | | Metric |
|-------|---|------------------|-----------------------------------|
| 1.1 | Manufacturer | | Manitou |
| 1.2 | Model Name | | MI 18 D |
| 1.3 | Power source | | Diesel |
| 1.4 | Operator type | | Seated |
| 1.5 | Max. capacity | Q | 1800 kg |
| 1.6 | Load centre of gravity | c | 500 mm |
| 1.8 | Load distance, centre of drive axle to fork | x | 405 mm |
| 1.9 | Wheelbase | y | 1420 mm |
| | Weight | | |
| 2.1 | Service weight | | 3100 kg |
| 2.2 | Weight on front axle (laden) / rear axle (laden) | | 4260 kg / 640 kg |
| 2.3 | Weight on front axle (Unladen) / rear axle (Unladen) | | 1315 kg / 1785 kg |
| | Wheels | | |
| 3.1 | Tyres type | | PPS |
| 3.2 | Dimensions of front wheels | | 6.50-10 10 |
| 3.3 | Dimensions of rear wheels | | 5.00-8 8 |
| 3.5 | Number of front wheels / rear wheels | | 2 / 2 |
| 3.5.2 | Number of drive wheels | | 2 |
| 3.6 | Front wheel gauge | b10 | 900 mm |
| 3.7 | Rear wheel gauge | b11 | 920 mm |
| | Dimensions | | |
| 4.1 | Tilt of Mast Forward (deg) / Backward (deg) | α / β | 6 / 12 |
| 4.7 | Height of overhead guard (cabin) | h6 | 2090 mm |
| 4.8 | Seat height/stand height | h7 | 1160 mm |
| 4.12 | Height of towing bar (coupling height) | h10 | 315 mm |
| 4.19 | Overall length | l1 | 3350 mm |
| 4.20 | Length to face of forks | l2 | 2280 mm |
| 4.21 | Overall width | b1 | 1080 mm |
| 4.22 | Forks section / width / length | s / e / l | 35 mm x 100 mm / 11150 mm |
| 4.23 | Fork carriage ISO 2328 (class/form) A/B | | FEM 2A |
| 4.24 | Fork carriage width | b3 | 1000 mm |
| 4.31 | Ground clearance below mast | m1 | 115 mm |
| 4.32 | Ground clearance at centre of wheelbase | m2 | 150 mm |
| 4.33 | Aisle width for 1000 x 1200 pallet widthways | Ast | 3615 mm |
| 4.34 | Aisle width for 800 x 1200 pallet lengthways | Ast | 3815 mm |
| 4.35 | Turning radius | Wa | 2010 mm |
| 4.36 | Internal turning radius (over tyres) | b13 | 55 mm |
| | Performances | | |
| 5.1 | Travel speed (laden / unladen) | | 18.6 km/h / 19.3 km/h |
| 5.2 | Lifting speed (laden / unladen) | | 0.5 m/s / 0.55 m/s |
| 5.3 | Lowering speed (laden / unladen) | | 0.5 m/s / 0.55 m/s |
| 5.5 | Drawbar pull (Laden / Unladen) | | 1440 daN / 795 daN |
| 5.7 | Gradeability (laden / unladen) | | 20 % / 20 % |
| 5.10 | Service brake | | Hydraulic |
| | Engine | | |
| 7.1 | Engine brand / model / norm | | Yanmar / 4TNE92-HRJ / Stage III A |
| 7.2 | Engine power according to ISO 1585 | | 32.8 kW |
| 7.3 | Rated speed | | 2450 rpm |
| 7.4 | Number of cylinders / Capacity of cylinders | | 4 - 2659 cm ³ |
| 7.5 | Fuel consumption according to VDI cycle | | 3.26 l/h |
| | Miscellaneous | | |
| 8.2 | Working hydraulic pressure for attachments | | 160 Bar |
| 8.3 | Oil flow rate for attachments | | 56 l/min |
| 8.4 | Measured/guaranteed mean noise level at the ear of the operator | | < 86 dB(A) |

Dimensional drawing



Characteristics of masts and residual capacities

| Full Visibility Duplex | | FVD 33 | FVD 37 | FVD 40 |
|--|----|--------|--------|--------|
| h1 - Height mast lowered * | mm | 2145 | 2395 | 2595 |
| h2 - Free lift | mm | 155 | 155 | 155 |
| h3 - Lifting Height | mm | 3300 | 3700 | 4000 |
| h4 - Height mast extended * | mm | 3865 | 4265 | 4600 |
| α / β - Mast inclination (front / rear) | ° | 6 / 12 | 6 / 12 | 6 / 12 |
| Residual capacity at max height | kg | 0 | | 1800 |
| Height at max capacity | mm | 3300 | 3700 | |
| Residual capacity without attachment (Industrial load chart) | kg | 1800 | 1500 | 1800 |
| Residual capacity with integrated side shift (Industrial load chart) | kg | 1750 | 1500 | 1750 |

| Free Lift Duplex | | FLD 33 | FLD 37 | FLD 40 |
|--|----|--------|--------|--------|
| h1 - Height mast lowered * | mm | 2160 | 2360 | 2560 |
| h2 - Free lift | mm | 1575 | 1775 | 1975 |
| h3 - Lifting Height | mm | 3300 | 3700 | 4000 |
| h4 - Height mast extended * | mm | 3885 | 4285 | 4585 |
| α / β - Mast inclination (front / rear) | ° | 6 / 12 | 6 / 12 | 6 / 12 |
| Residual capacity at max height | kg | 1800 | 1800 | 1700 |
| Height at max capacity | mm | 3300 | 3700 | |
| Residual capacity without attachment (Industrial load chart) | kg | 1800 | 1800 | 1700 |
| Residual capacity with integrated side shift (Industrial load chart) | kg | 1750 | 1750 | 1650 |

| Free Lift Triplex | | FLT 43 | FLT 45 | FLT 47 | FLT 48 | FLT 50 | FLT 55 | FLT 60 | FLT 65 |
|--|----|--------|--------|--------|--------|--------|--------|--------|--------|
| h1 - Height mast lowered * | mm | 2070 | 2120 | 2170 | 2220 | 2270 | 2470 | 2720 | 2870 |
| h2 - Free lift | mm | 1400 | 1500 | 1585 | 1600 | 1685 | 1885 | 2100 | 2200 |
| h3 - Lifting Height | mm | 4300 | 4500 | 4700 | 4800 | 5000 | 5500 | 6000 | 6500 |
| h4 - Height mast extended * | mm | 4980 | 5130 | 5380 | 5430 | 5595 | 6095 | 6730 | 7180 |
| α / β - Mast inclination (front / rear) | ° | 6 / 6 | 6 / 6 | 6 / 6 | 6 / 6 | 6 / 6 | 3 / 6 | 3 / 6 | 3 / 6 |
| Residual capacity at max height | kg | 1700 | 1700 | 1650 | 1650 | 1350 | 1050 | 750 | |
| Residual capacity without attachment (Industrial load chart) | kg | 1700 | 1700 | 1650 | 1650 | 1350 | 1050 | 750 | |
| Residual capacity with integrated side shift (Industrial load chart) | kg | 1600 | 1600 | 1550 | 1550 | 1250 | 950 | 650 | |



Siège Social
430 rue de l'Aubinière - 44150 Ancenis Cedex - France
Tel: +33(0)2 40 09 10 11 - Fax: +33 (0)2 40 09 10 97
www.manitou.com



This brochure describes versions and configuration options for Manitou products which may be fitted with different equipment. The equipment described in this brochure may be standard, optional or not available depending on version. Manitou reserves the right to change the specifications shown and described at any time and without prior warning. The manufacturer is not liable for the specifications given. For more information, contact your Manitou dealer. Non-contractual document. Product descriptions may differ from actual products. List of specifications is not comprehensive. The logos and visual identity of the company are the property of Manitou and may not be used without authorisation. All rights reserved. The photos and diagrams contained in this brochure are provided for information only.

MANITOU BF SA - Limited company with board of directors - Share capital: 39,668,399 euros - 857 802 508
RCS Nantes