

Technical sheet :

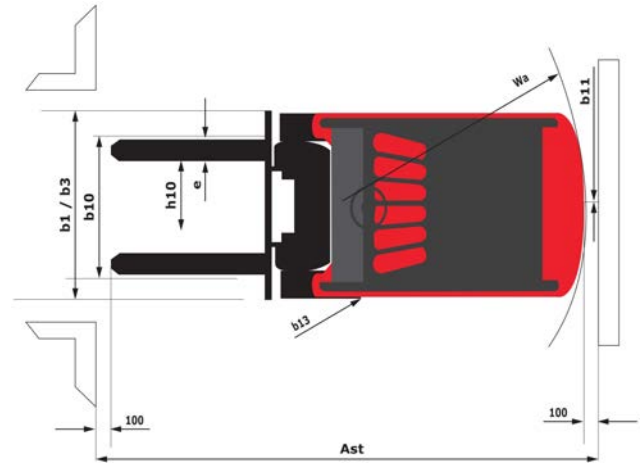
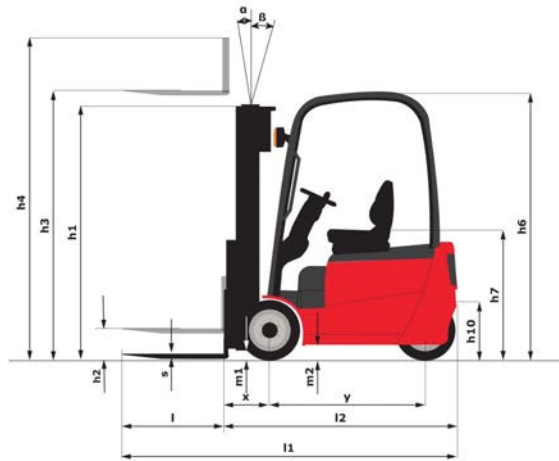
# **ME 315C**

---



|       | Technical characteristics                                       |                  | Metric                   |
|-------|-----------------------------------------------------------------|------------------|--------------------------|
| 1.1   | Manufacturer                                                    |                  | Manitou                  |
| 1.2   | Model Name                                                      |                  | ME 315c                  |
| 1.3   | Power source                                                    |                  | Electric                 |
| 1.4   | Operator type                                                   |                  | Seated                   |
| 1.5   | Max. capacity                                                   | Q                | 1500 kg                  |
| 1.6   | Load centre of gravity                                          | c                | 500 mm                   |
| 1.8   | Load distance, centre of drive axle to fork                     | x                | 365 mm                   |
| 1.9   | Wheelbase                                                       | y                | 1220 mm                  |
|       | <b>Weight</b>                                                   |                  |                          |
| 2.1   | Service weight                                                  |                  | 3000 kg                  |
| 2.2   | Weight on front axle (laden) / rear axle (laden)                |                  | 3930 kg / 570 kg         |
| 2.3   | Weight on front axle (Unladen) / rear axle (Unladen)            |                  | 1370 kg / 1630 kg        |
|       | <b>Wheels</b>                                                   |                  |                          |
| 3.1   | Tyres type                                                      |                  | Super Elastic            |
| 3.2   | Dimensions of front wheels                                      |                  | 18x7-8                   |
| 3.3   | Dimensions of rear wheels                                       |                  | 200/50-10                |
| 3.5   | Number of front wheels / rear wheels                            |                  | 2 / 1                    |
| 3.5.2 | Number of drive wheels                                          |                  | 1                        |
| 3.6   | Front wheel gauge                                               | b10              | 835 mm                   |
|       | <b>Dimensions</b>                                               |                  |                          |
| 4.1   | Tilt of Mast Forward (deg) / Backward (deg)                     | $\alpha / \beta$ | 5 / 6                    |
| 4.7   | Height of overhead guard (cabin)                                | h6               | 2105 mm                  |
| 4.8   | Seat height/stand height                                        | h7               | 1020 mm                  |
| 4.12  | Height of towing bar (coupling height)                          | h10              | 500 mm                   |
| 4.19  | Overall length                                                  | l1               | 3015 mm                  |
| 4.20  | Length to face of forks                                         | l2               | 1865 mm                  |
| 4.21  | Overall width                                                   | b1               | 990 mm                   |
| 4.22  | Forks section / width / length                                  | s / e / l        | 35 mm x 100 mm / 1150 mm |
| 4.23  | Fork carriage ISO 2328 (class/form) A/B                         |                  | FEM 2A                   |
| 4.24  | Fork carriage width                                             | b3               | 1000 mm                  |
| 4.31  | Ground clearance below mast                                     | m1               | 100 mm                   |
| 4.32  | Ground clearance at centre of wheelbase                         | m2               | 100 mm                   |
| 4.33  | Aisle width for 1000 x 1200 pallet widthways                    | Ast              | 3201 mm                  |
| 4.34  | Aisle width for 800 x 1200 pallet lengthways                    | Ast              | 3325 mm                  |
| 4.35  | Turning radius                                                  | Wa               | 1510 mm                  |
|       | <b>Performances</b>                                             |                  |                          |
| 5.1   | Travel speed (laden / unladen)                                  |                  | 9.5 km/h / 10.5 km/h     |
| 5.2   | Lifting speed (laden / unladen)                                 |                  | 0.22 m/s / 0.34 m/s      |
| 5.3   | Lowering speed (laden / unladen)                                |                  | 0.58 m/s / 0.48 m/s      |
| 5.5   | Drawbar pull (Laden / Unladen)                                  |                  | 500 daN / 530 daN        |
| 5.7   | Gradeability (laden / unladen)                                  |                  | 7 % / 9 %                |
| 5.10  | Service brake                                                   |                  | Hydraulic                |
|       | <b>Engine</b>                                                   |                  |                          |
| 6.1   | Drive motor rating S2 60 min                                    |                  | 4 kW                     |
| 6.3   | Battery according to DIN 43531/35/36 A, B, C                    |                  | DIN43535 A               |
| 6.4   | Battery / Batteries capacity                                    |                  | 24 V / 840 Ah            |
| 6.6   | Energy consumption                                              |                  | 3.5 kW/h                 |
| 7.2   | Engine power according to ISO 1585                              |                  | 8.6 kW                   |
|       | <b>Miscellaneous</b>                                            |                  |                          |
| 8.1   | Type of drive control                                           |                  | Electric                 |
| 8.2   | Working hydraulic pressure for attachments                      |                  | 145 Bar                  |
| 8.3   | Oil flow rate for attachments                                   |                  | 16 l/min                 |
| 8.4   | Measured/guaranteed mean noise level at the ear of the operator |                  | < 70 dB(A)               |

## Dimensional drawing



## Characteristics of masts and residual capacities

| Full Visibility Duplex                                               |    | FVD 27 | FVD 30 | FVD 33 | FVD 36 | FVD 40 | FVD 43 | FVD 45 |
|----------------------------------------------------------------------|----|--------|--------|--------|--------|--------|--------|--------|
| h1 - Height mast lowered *                                           | mm | 1830   | 1980   | 2130   | 2330   | 2580   | 2730   | 2830   |
| h2 - Free lift                                                       | mm | 155    | 155    | 155    | 155    | 155    | 155    | 155    |
| h3 - Lifting Height                                                  | mm | 2700   | 3000   | 3300   | 3600   | 4000   | 4300   | 4500   |
| h4 - Height mast extended *                                          | mm | 3233   | 3533   | 3833   | 4133   | 4533   | 4833   | 5033   |
| h4 - Height mast extended with load backrest                         | mm | 3655   | 3955   | 4255   | 4555   | 4955   | 5255   | 5455   |
| $\alpha / \beta$ - Mast inclination (front / rear)                   | °  | 6 / 5  | 6 / 5  | 6 / 5  | 6 / 5  | 4 / 5  | 4 / 5  | 4 / 5  |
| Residual capacity at max height                                      | kg | 1500   | 1500   | 1500   | 1500   | 1500   | 1500   | 1450   |
| Residual capacity with hooked-on side shift (Industrial load chart)  | kg | 1500   | 1500   | 1500   | 1500   | 1450   | 1400   | 1350   |
| Height at max capacity                                               | mm | 2700   | 3000   | 3300   | 3600   | 4000   | 4300   | 4000   |
| Height at max capacity with integrated sideshift                     | mm | 2700   | 3000   | 3300   | 3600   | 4000   | 4300   | 4000   |
| Residual capacity without attachment (Industrial load chart)         | kg | 1500   | 1500   | 1500   | 1500   | 1500   | 1500   | 1450   |
| Residual capacity with integrated side shift (Industrial load chart) | kg | 1500   | 1500   | 1500   | 1500   | 1500   | 1500   | 1450   |

| Free Lift Duplex                                                     |    | FLD 27 | FLD 30 | FLD 33 | FLD 36 | FLD 40 |
|----------------------------------------------------------------------|----|--------|--------|--------|--------|--------|
| h1 - Height mast lowered *                                           | mm | 1845   | 1995   | 2145   | 2295   | 2545   |
| h2 - Free lift                                                       | mm | 1286   | 1436   | 1586   | 1736   | 1986   |
| h3 - Lifting Height                                                  | mm | 2700   | 3000   | 3300   | 3600   | 4000   |
| h4 - Height mast extended *                                          | mm | 3259   | 3559   | 3859   | 4159   | 4559   |
| h4 - Height mast extended with load backrest                         | mm | 3645   | 3945   | 4245   | 4545   | 4945   |
| $\alpha / \beta$ - Mast inclination (front / rear)                   | °  | 6 / 5  | 6 / 5  | 6 / 5  | 6 / 6  | 4 / 5  |
| Residual capacity at max height                                      | kg | 1500   | 1500   | 1500   | 1500   | 1500   |
| Residual capacity with hooked-on side shift (Industrial load chart)  | kg | 1500   | 1500   | 1500   | 1500   | 1450   |
| Height at max capacity                                               | mm | 2700   | 3000   | 3300   | 3600   | 4000   |
| Height at max capacity with integrated sideshift                     | mm | 2700   | 3000   | 3300   | 3600   | 4000   |
| Residual capacity without attachment (Industrial load chart)         | kg | 1500   | 1500   | 1500   | 1500   | 1500   |
| Residual capacity with integrated side shift (Industrial load chart) | kg | 1500   | 1500   | 1500   | 1500   | 1500   |
| Height at max capacity with hooked-on sideshift                      | mm | 2700   |        |        |        |        |

| Free Lift Triplex                                                    |    | FLT 40 | FLT 43 | FLT 45 | FLT 48 | FLT 50 | FLT 55 | FLT 60 | FLT 65 |
|----------------------------------------------------------------------|----|--------|--------|--------|--------|--------|--------|--------|--------|
| h1 - Height mast lowered *                                           | mm | 1945   | 2045   | 2095   | 2245   | 2345   | 2545   | 2795   | 2995   |
| h2 - Free lift                                                       | mm | 1371   | 1471   | 1521   | 1671   | 1771   | 1971   | 2200   | 2400   |
| h3 - Lifting Height                                                  | mm | 4000   | 4300   | 4500   | 4800   | 5000   | 5500   | 6000   | 6500   |
| h4 - Height mast extended *                                          | mm | 4584   | 4884   | 5084   | 5384   | 5584   | 6084   | 6605   | 7105   |
| h4 - Height mast extended with load backrest                         | mm | 4955   | 5255   | 5455   | 5755   | 5955   | 6455   | 6955   | 7455   |
| $\alpha / \beta$ - Mast inclination (front / rear)                   | °  | 4 / 5  | 4 / 5  | 4 / 5  | 4 / 5  | 4 / 5  | 4 / 5  | 4 / 5  | 4 / 5  |
| Residual capacity at max height                                      | kg | 1450   | 1400   | 1350   | 1300   | 1250   | 1200   | 1000   | 600    |
| Residual capacity with hooked-on side shift (Industrial load chart)  | kg | 1350   | 1300   | 1250   | 1200   | 1150   | 1100   | 900    | 500    |
| Height at max capacity                                               | mm | 4000   |        |        |        |        |        |        |        |
| Height at max capacity with integrated sideshift                     | mm | 4000   |        |        |        |        |        |        |        |
| Residual capacity without attachment (Industrial load chart)         | kg | 1450   | 1400   | 1350   | 1300   | 1250   | 1200   | 1000   | 600    |
| Residual capacity with integrated side shift (Industrial load chart) | kg | 1450   | 1400   | 1350   | 1300   | 1250   | 1200   | 1000   | 600    |



Siège Social  
430 rue de l'Aubinière - 44150 Ancenis Cedex - France  
Tel: +33(0)2 40 09 10 11 - Fax: +33 (0)2 40 09 10 97  
[www.manitou.com](http://www.manitou.com)



This brochure describes versions and configuration options for Manitou products which may be fitted with different equipment. The equipment described in this brochure may be standard, optional or not available depending on version. Manitou reserves the right to change the specifications shown and described at any time and without prior warning. The manufacturer is not liable for the specifications given. For more information, contact your Manitou dealer. Non-contractual document. Product descriptions may differ from actual products. List of specifications is not comprehensive. The logos and visual identity of the company are the property of Manitou and may not be used without authorisation. All rights reserved. The photos and diagrams contained in this brochure are provided for information only.

MANITOU BF SA - Limited company with board of directors - Share capital: 39,668,399 euros - 857 802 508  
RCS Nantes